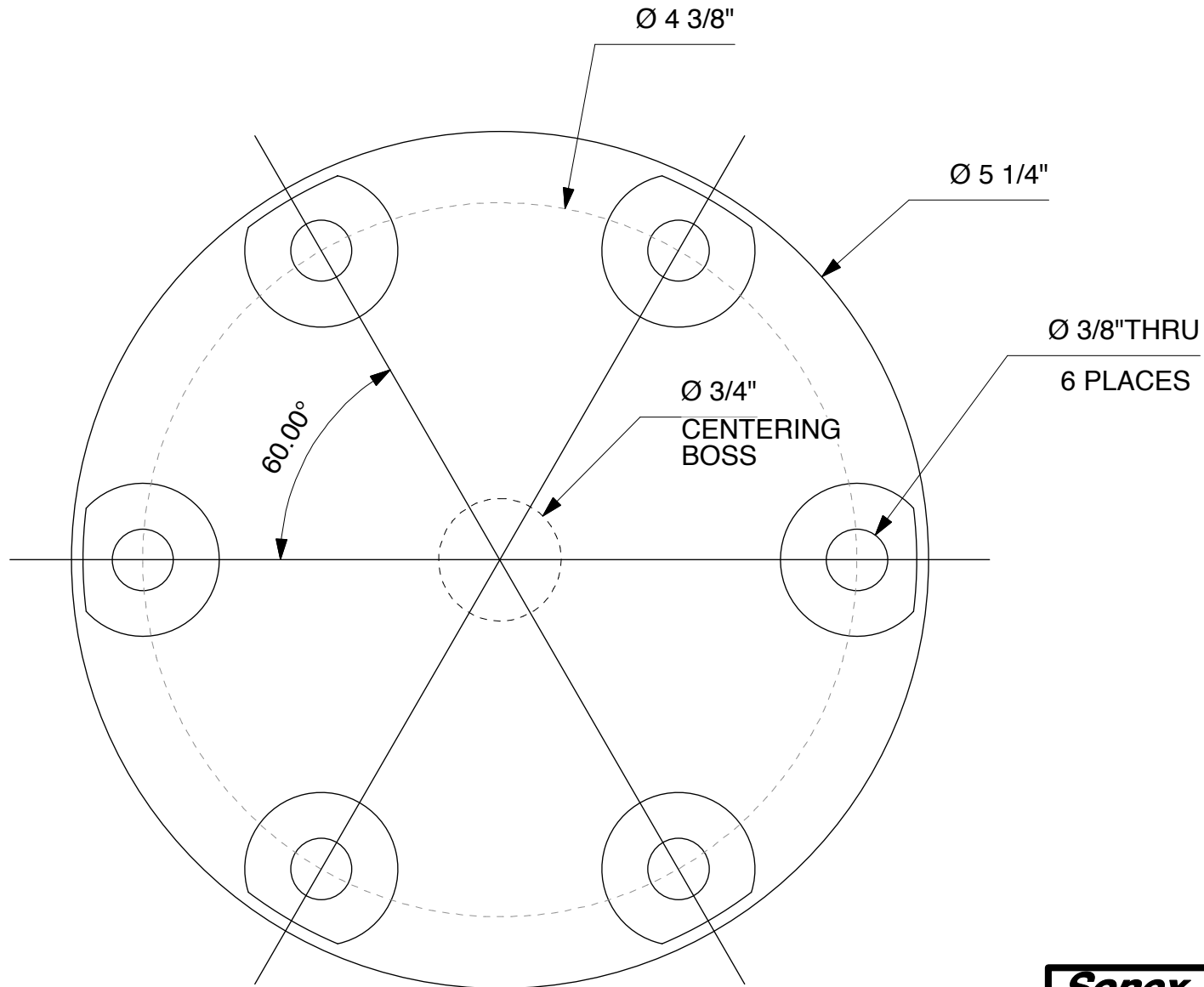


The information disclosed herein is the property of the originator who reserves all patent, design, proprietary, manufacturing, use and sales rights thereto, except for the rights expressly granted to others. This document shall not be reproduced nor shall the information contained within be used by or disclosed to others except as expressly authorized by the originator. ©

Revision
Letter

Change
Description



Sonex Aircraft, LLC

3300 Spinner Dimensions

Drawing Scale

FULL

Drawing Number

SNX-P20-03

Revision

N/C